

7" LED Field Monitor

with Advanced Functions

Specific Monitor by LILLIPUT with Broadcast Quality for DSLR & Full HD Camcorder
Application for Taking Photos & Making Movies. Strongly recommend for DSLR fans & directors!

Model NO.: **663** **663/P** **663/S**
(663/O) (663/O/P)

- 178° wide viewing angles
- High brightness: 400cd/m²
- High contrast: 800:1
- Faster response time
- Wide voltage: DC 7-24V
- TALLY interface with indicating light
- Firm & portable design
- POP-UP shortcut menu

1280x800 **Metal Shell**



DESIGN

FOR BROADCASTS AND LIVE EVENTS

- ▶ Shortcut menu pop-up when function setting.
- ▶ Tally interface will be available when monitor becomes view finder of camcorder.
- ▶ Slim and portable, easy for installation.
- ▶ DC powered, Anton Bauer and other battery plates can be fixed on the back.



ADVANCED FUNCTIONS



- > Peaking Filter
- > False Colors
- > Exposure
- > Histogram
- > Camera Mode
- > Center Marker
- > Pixel-to-Pixel
- > Color Bar
- > Screen Marker
- > Aspect Ratio
- > Check Field
- > Underscan
- > Freeze Input
- > HV Delay
- > 8x Zoom
- > PIP
- > Flip H/V
- > Backlit Control

F1-F4:
4 user-definable buttons ▶

FEATURES

Wide Viewing Angles (IPS Panel)

178° horizontal & 178° vertical wide viewing angles, it's available for people viewing from different angles with the same visual effect.

Metal Shell

A good protection from vibration, water, dust & bad weather outside, with firm metal body. Longer life time for your device.

1280x800

1280x800 Higher resolution within 7 inch display. Enjoy new resolution revolution! Put 800x480 display aside.

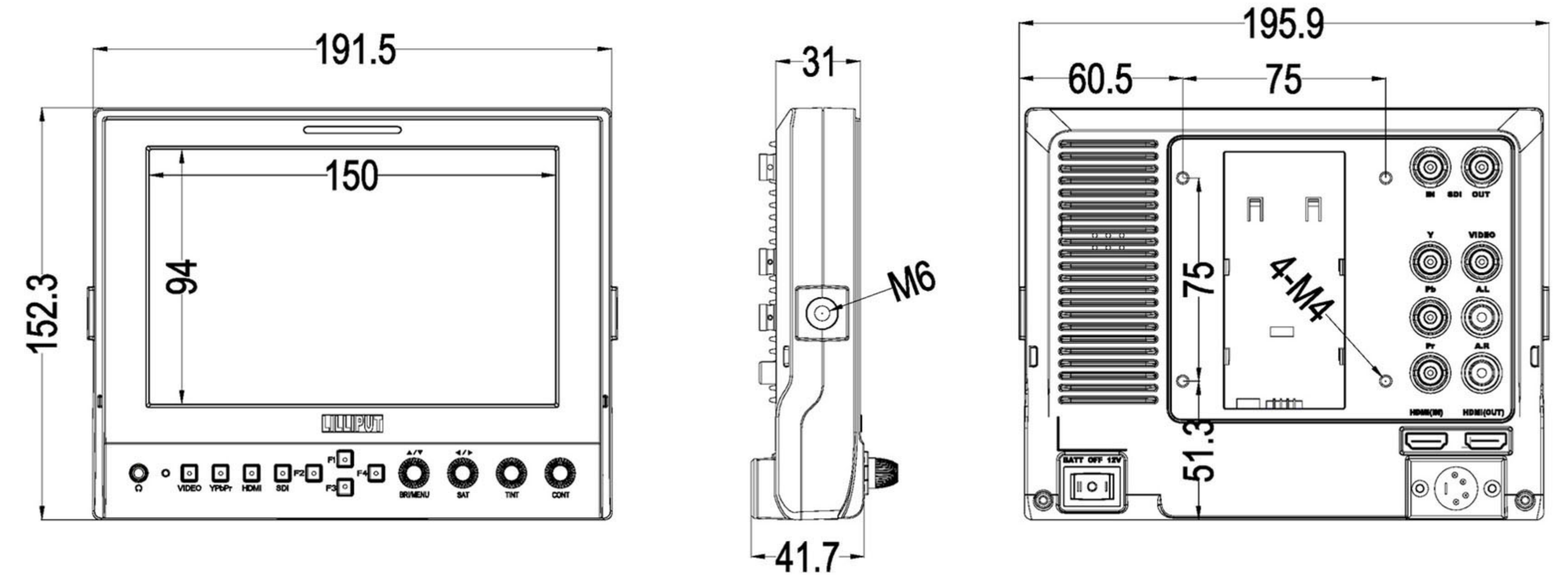
SPECIFICATIONS / ACCESSORIES

DISPLAY	Panel	7" LED backlit	<ul style="list-style-type: none"> 1. Folding sun shade cover 1 piece 2. Shoe mount 1 piece 3. Battery plate (F-970, QM91D, DU21 or LP-E6) 2 pieces 4. HDMI A/C cable 1 piece 5. 12V DC adapter 1 piece 6. Power and TALLY cable 1 piece 7. Suitcase 1 piece 8. Manual 1 copy 9. V-mount battery plate (optional) 1 piece 10. Anton Bauer mount battery plate (optional) 1 piece
	Physical Resolution	1280x800	
	Aspect Ratio	16:9	
	Brightness	400cd/m ²	
	Contrast	800:1	
INPUT	Viewing Angle	178° / 178°(H/V) (IPS)	
	3G-SDI	1(optional)	
	HDMI	1	
	YPbPr	3(BNC)	
	Composite	1	
OUTPUT	AUDIO L&R	1	
	TALLY	1	
AUDIO	3G-SDI	1(optional)	
	HDMI	1	
POWER	Speaker	1(built-in)	
	Ear Phone Slot	1(built-in)	
	Current	900mA	
	Input Voltage	DC 7-24V (XLR Connector)	
ENVIRONMENT	Battery Plate	V-mount / Anton Bauer mount / F-970 / QM91D / DU21 / LP-E6	
	Power Consumption	≤11W	
DIMENSION	Operating Temperature	-20°C~60°C	
	Storage Temperature	-30°C~70°C	
	Dimension(LWD)	191.5x152x31 / 141mm (with cover)	
	Suitcase Dimension(LWD)	309x247x97.5mm	
	Weight	760g / 938g (with cover) / 2160g (with suitcase)	

APPEARANCE



OUTLINE DIMENSION



DV BATTERY MOUNT PLATE

